

NETWORK STATEMENT 2024



ANNEX 2D

CLEARANCE AND LOADING GAUGE

TABLE OF CONTENT

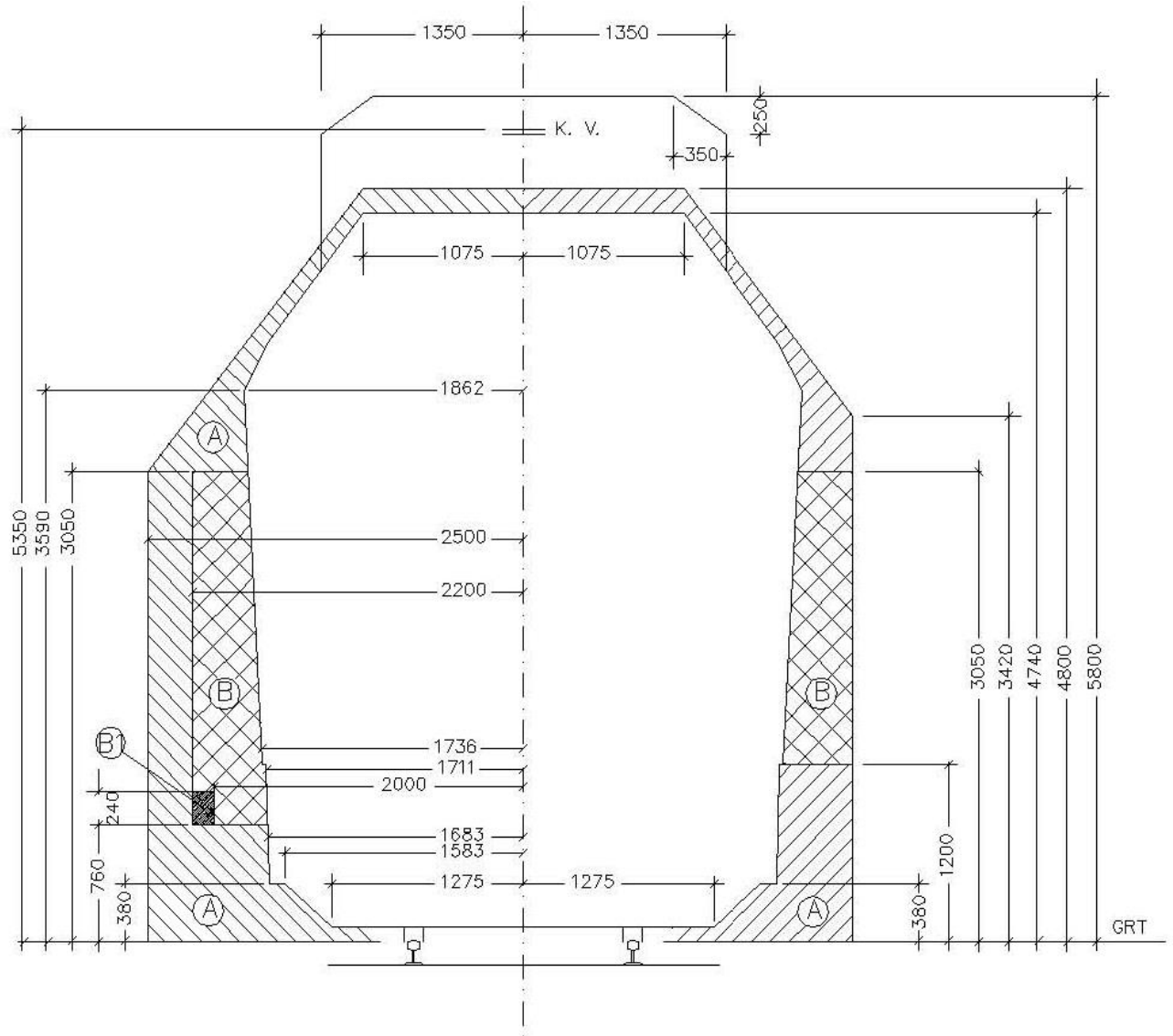
CLEARANCE GAUGE.....	1
NORMAL CLEARANCE GAUGE	1
MINIMAL CLEARANCE GAUGE.....	2
1. CLEARANCE GAUGE FOR NEW CONSTRUCTIONS GC.....	3
LOADING GAUGE	4
2. LOADING GAUGE SŽ I.....	4
3. INTERNATIONAL LOADING GAUGE.....	5
4. LOADING GAUGE FOR COMBINED TZRANSPORT GA, GB, GC	6

CLEARANCE GAUGE

Published in Official Journal of the Republic of Slovenia, No 92/2010, on 19.11.2010.

NORMAL CLEARANCE GAUGE FOR $R \geq 250$ M:

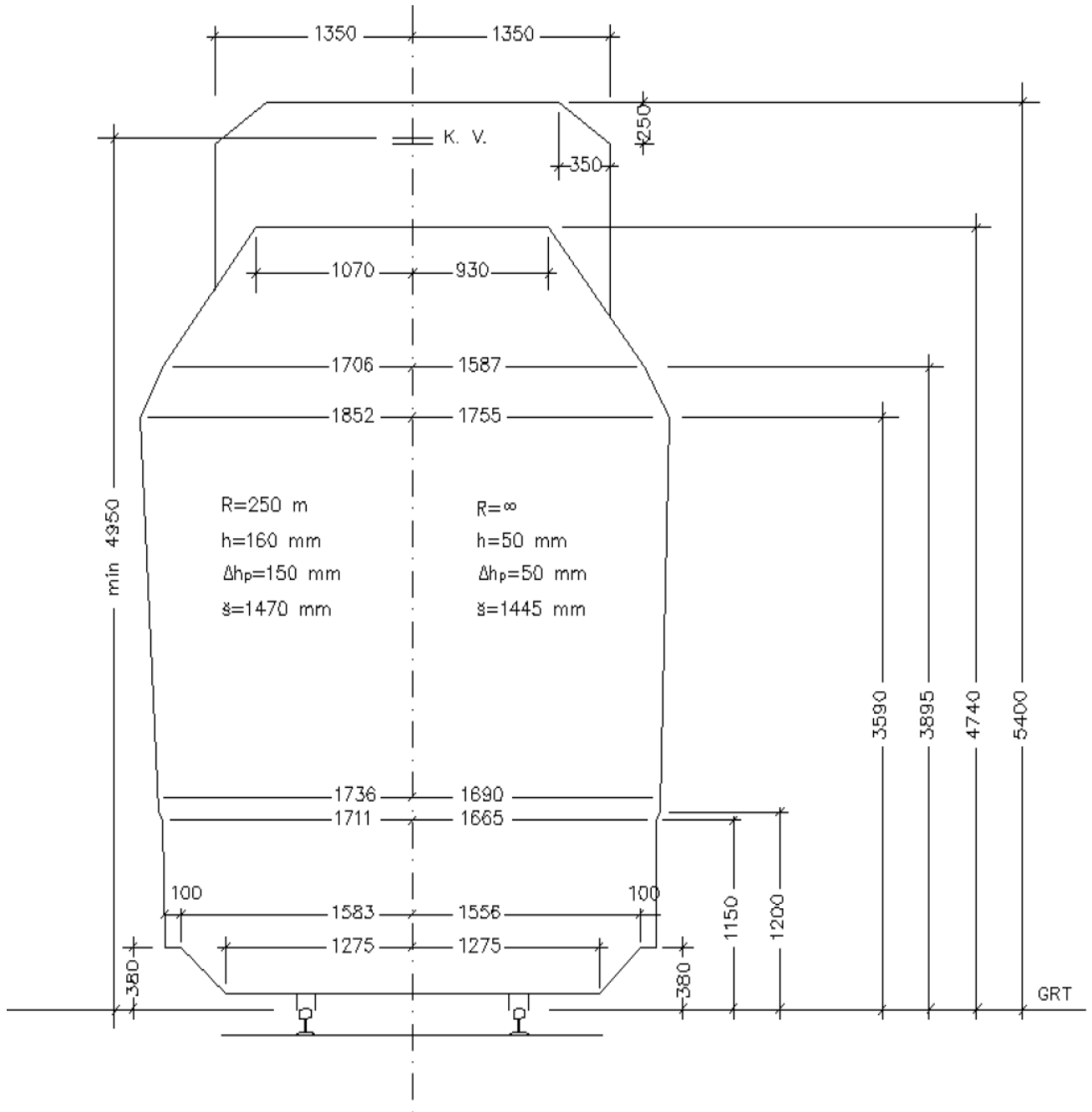
- open rail line,
- main running tracks,
- main tracks for passenger trains,
- other tracks.



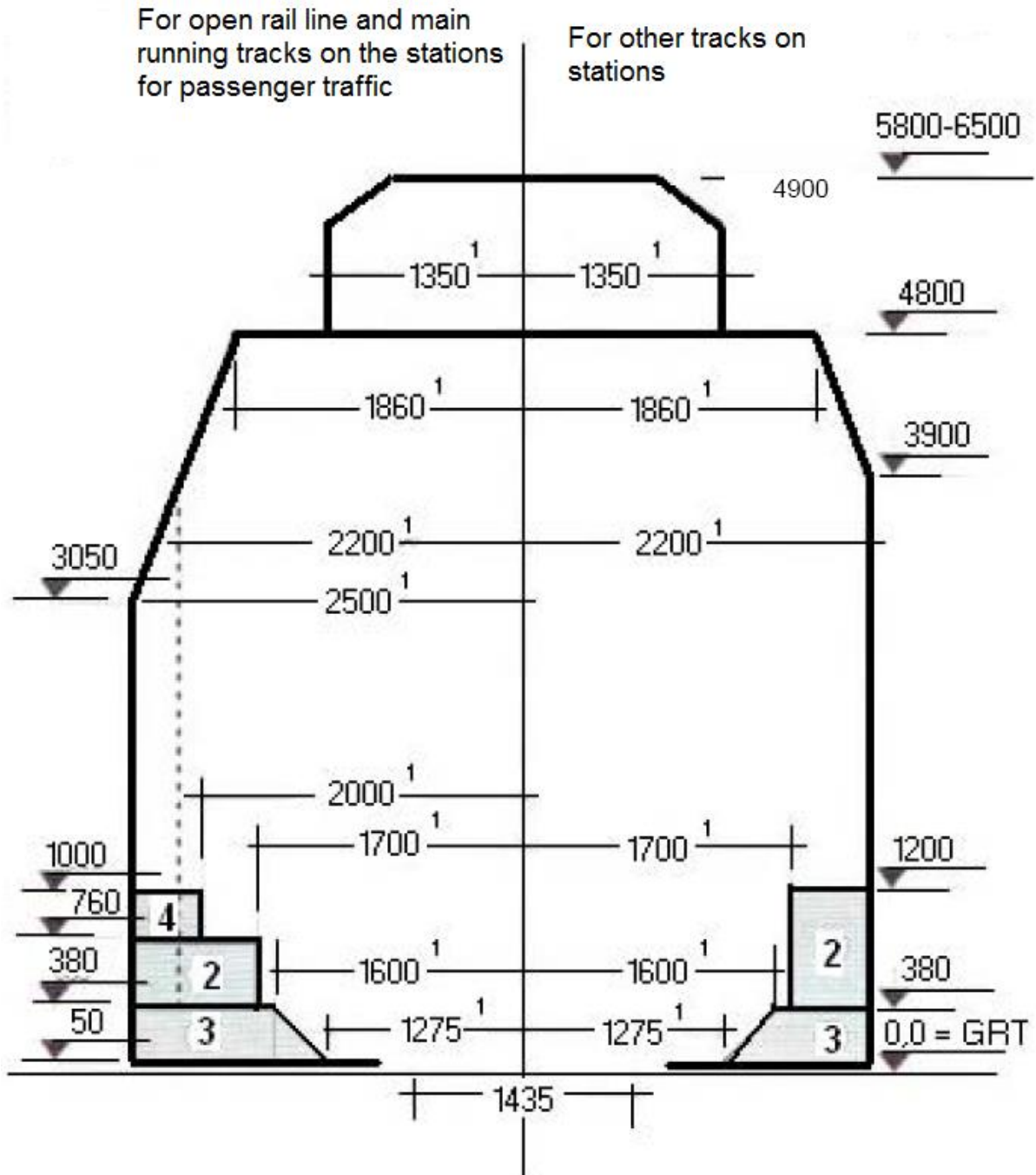
Range A consists of devices, intended for the railway traffic (platforms, loading ramps, shunting equipment, signals, catenary bars). If appropriate safety measures have been implemented, the equipment and materials, used during construction can also be included in this range.

If appropriate safety measures have been implemented, the equipment and materials, used during construction works can be included in the range B.

The signal stiffeners are included in the range B1.

MINIMAL CLEARANCE GAUGE ZA R ≥ 250 m


1. CLEARANCE GAUGE FOR NEW CONSTRUCTIONS GC



LEGEND:

- (1) For THE RADIUS OF CURVES with $r < 250$ m, the half-widths of the light profiles are increased for the extension according to the following table:

HALF-WIDTHS (m)	INSIDE LIGHT PROFILE (mm)	OUTER SIDE OF THE LIGHT PROFILE (mm)	SPACE FOR NETWORK (mm)
250	0	0	0
225	25	30	10
200	50	65	20
190	65	80	25

180	80	100	30
150	135	170	50
120	335	365	80
100	530	570	110

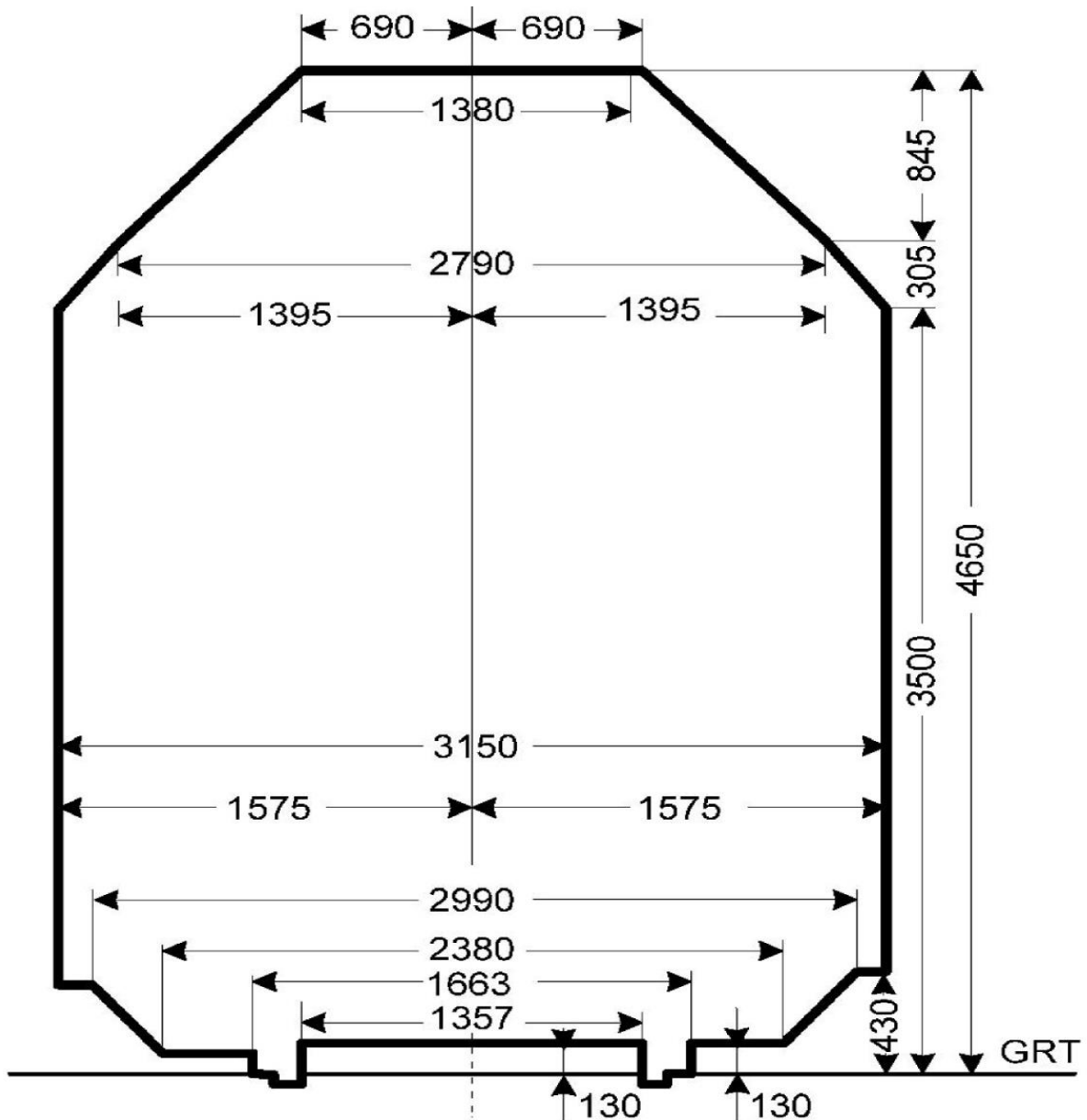
Intermediate values from the table above must not be linearly interpolated.

- (2) Space for platforms, loading ramps at stations, shunting equipment and signaling devices. During construction work, other objects (e.g. construction scaffolding, construction machinery, construction material) may reach into this space, if the necessary safety measures are provided.
- (3) Space for construction equipment, if they are necessary for the flow of traffic.
- (4) Signal reinforcements in the intermediate track may extend into this space

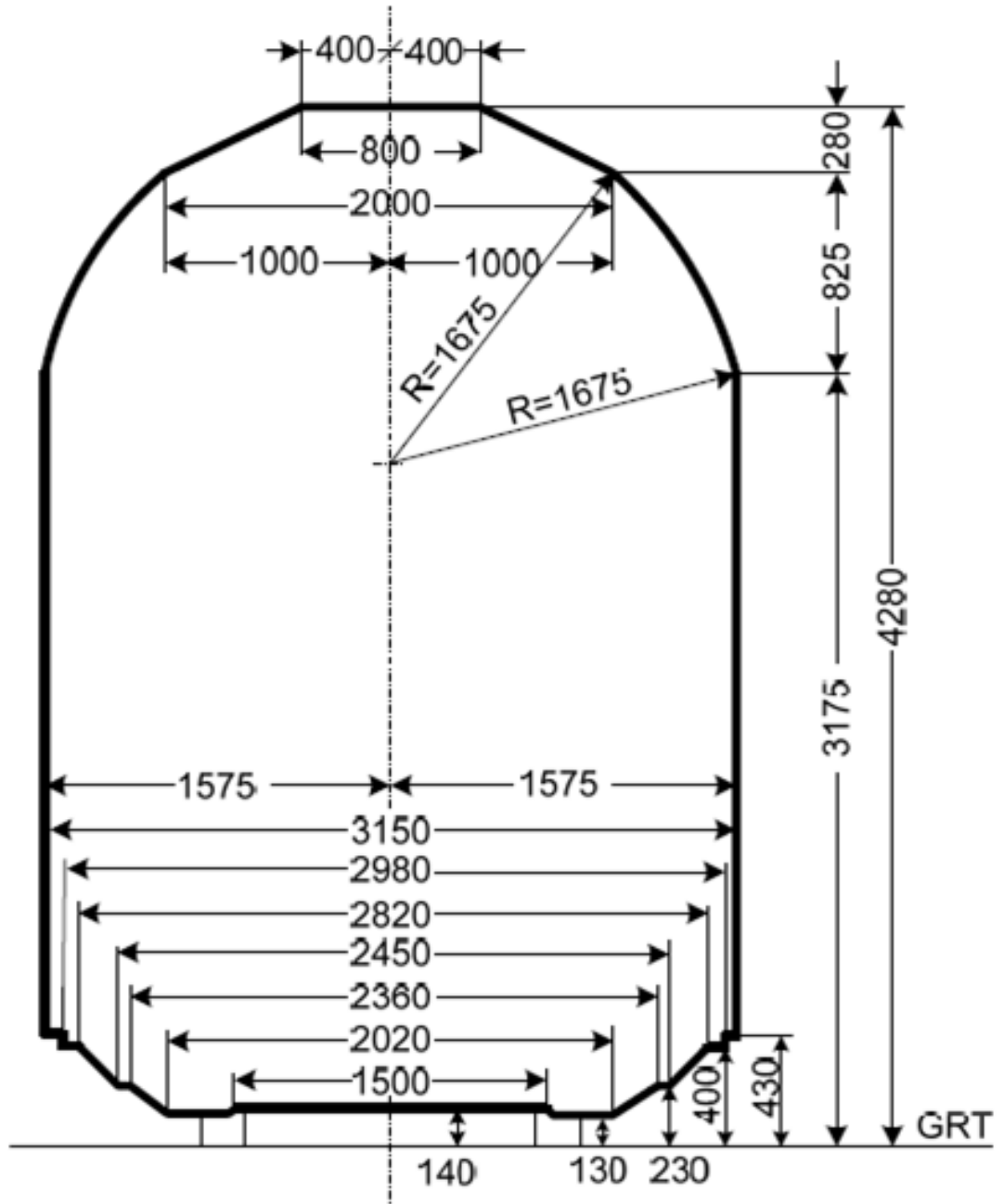
LOADING GAUGE

Published in Official Journal of the Republic of Slovenia, No.4/2009, on 19.1.2009.

2. LOADING GAUGE ŠŽ I



3. INTERNATIONAL LOADING GAUGE



4. LOADING GAUGE FOR COMBINED TZRANSPORT GA, GB, GC

